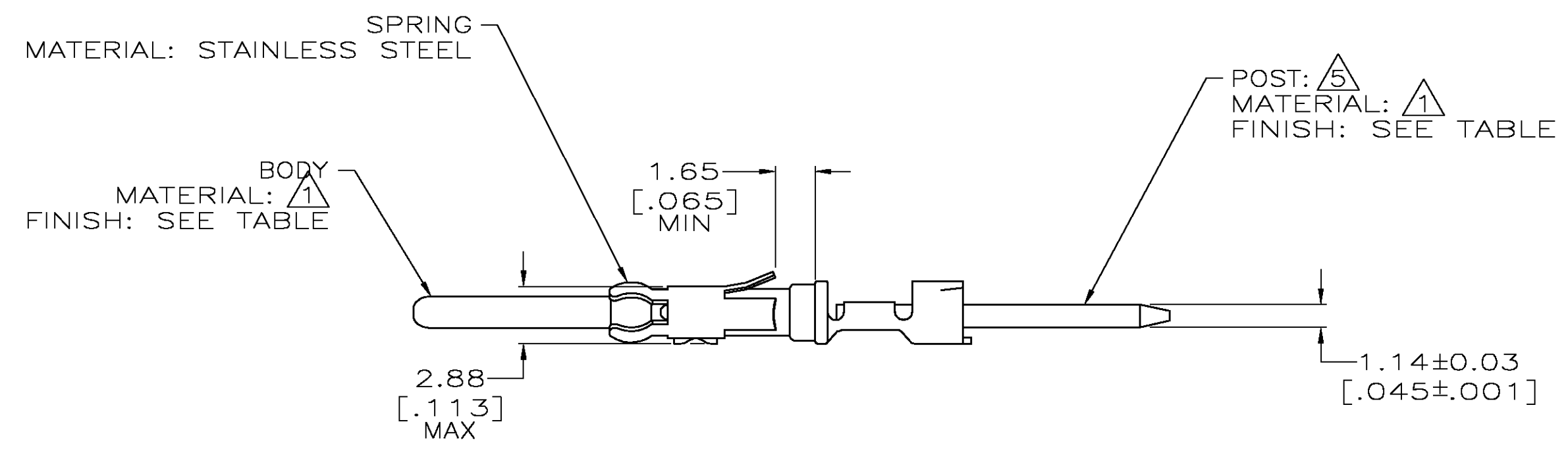
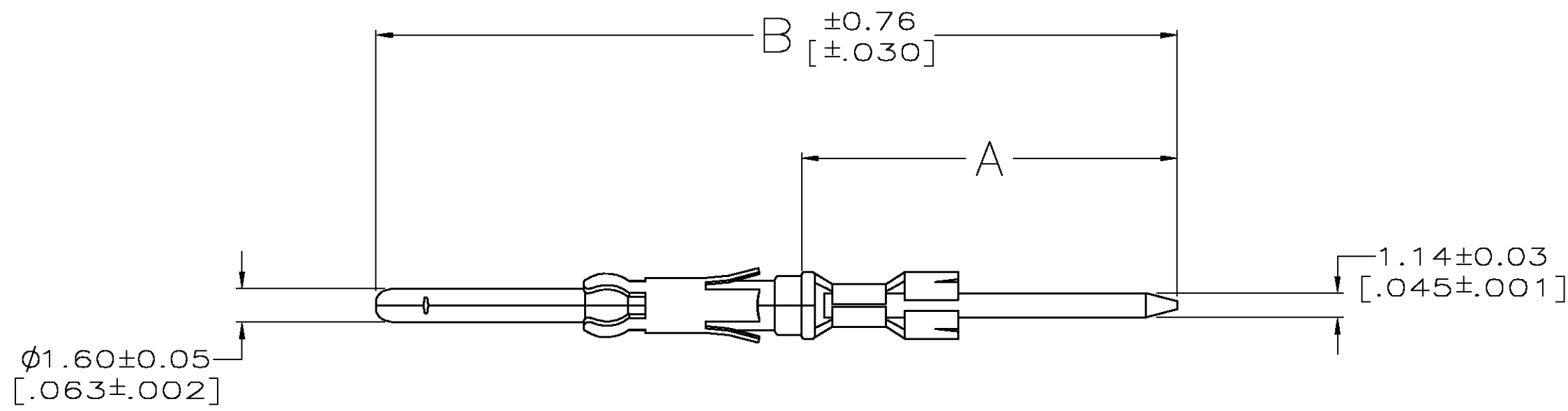


THIS DRAWING IS UNPUBLISHED. RELEASED FOR PUBLICATION  
 © COPYRIGHT BY TYCO ELECTRONICS CORPORATION. ALL RIGHTS RESERVED.

LOC	DIST	REVISIONS					
FT	0	P	LTR	DESCRIPTION	DATE	DWN	APVD
		V		REVISE PER ECN 0G3B-1137-04	12/15/04	SS	GS



6	3	SPECIAL	35.03 [1.379]	14.86 [.585]	1-66471-9
	3	1	37.97 [1.495]	17.81 [.701]	1-66471-8
	6	3	49.89 [1.964]	29.74 [1.171]	1-66471-7
	6	1	37.97 [1.495]	17.81 [.701]	1-66471-6
	3	3	49.89 [1.964]	29.74 [1.171]	1-66471-5
2	3	SPECIAL	35.03 [1.379]	14.86 [.585]	1-66471-4
	-	-	-	-	-
	-	-	-	-	-
	-	-	-	-	-
	2	SPECIAL	40.79 [1.606]	20.65 [.813]	1-66471-0
	3	3	49.89 [1.964]	29.74 [1.171]	66471-9
	3	1	37.97 [1.495]	17.81 [.701]	66471-7
	2	3	49.89 [1.964]	29.74 [1.171]	66471-3
2	1	37.97 [1.495]	17.81 [.701]	66471-1	
POST FINISH	BODY FINISH	NO OF TERM	B	A	PART NUMBER

- 1 BRASS PER ASTM B-36.
- 2 2.54um[.000100] MIN TIN-LEAD OVER 1.27um[.000050] MIN NICKEL.
- 3 SELECTIVELY PLATED 0.76um[.000030] MIN GOLD, FOR A DISTANCE OF 5.08[.200] FROM MATING END, GOLD FLASH ON REMAINDER, ALL OVER 1.27um[.000050] MIN NICKEL.
- 4. GOLD PLATING NOT TO APPEAR ON INSULATION SUPPORT STABILIZER.
- 5 POST WILL ACCEPT (SEE TABLE) TERMINATIONS.
- 6 .000100 MIN TIN OVER .000050 NICKEL. (POST)

THIS DRAWING IS A CONTROLLED DOCUMENT.

DIMENSIONS: mm [INCHES]	TOLERANCES UNLESS OTHERWISE SPECIFIED: 0 PLC ± - 1 PLC ± - 2 PLC ± 0.25[.010] 3 PLC ± - 4 PLC ± - ANGLES ± - FINISH	DWN C.REIFSNYDER 07 JUN 96 CHK R.STONE 12 JUL 96 APVD G.A.STEINHAUER 23 JUL 96 PRODUCT SPEC APPLICATION SPEC WEIGHT -	NAME CAGE CODE DRAWING NO RESTRICTED TO
MATERIAL SEE CALLOUTS	FINISH SEE CALLOUTS	SCALE 4:1	SHEET 1 OF 1 REV V

tyco Electronics Corporation Harrisburg, Pa 17105-3608  
 PIN CONTACT, CRIMPED, .062 DIA, .045 x .045 POST, -  
 A2 00779 C=66471  
 CUSTOMER DRAWING